



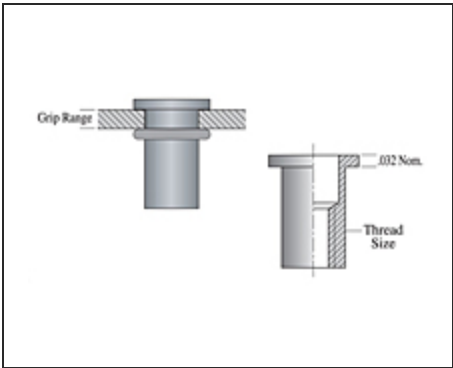
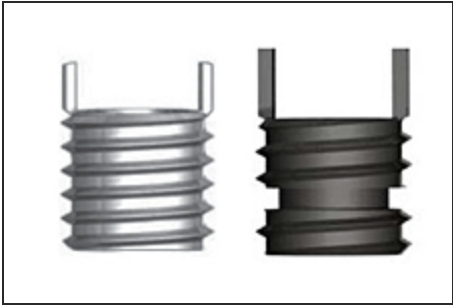
Monroe
 399 East Drive
 Melbourne, FL 32904
Phone: 833.302.0321 • **Fax:** 321-727-7331
Email: aerosales@askmonroe.com **Cage Code:** 0WTF7

ITEM # MS51830-103, SCREW THREAD INSERT - MS51830-103

List Price -
QUOTE

Screw Thread Insert - Without Internal Thread Lock, Thread: 6-32 Inner, 1/4-28 Outer, Screw Thread Insert, Ket Locked, Miniature And Lightweight, Corrosion Resistant Steel

Detail	Characteristic
FULL INTERNAL THREAD LENGTH	0.170 INCHES NOMINAL
INSERT SIZE	0.216-28 UNF CLASS 2A
LENGTH	0.170 INCHES NOMINAL
STYLE DESIGNATOR	KEYLOCK
SURFACE TREATMENT	PASSIVATE OVERALL



Specifications | Note

Specifications	
Inventory	0



Estimated Ship Date	Ships within 10-14 days
Inventory Note	Need additional stock? Call (833) 302-0321 or email
Material	Corrosion Resistant Steel
Length	0.170 in
Features	Key Locked Lightweight Locked In Mini
Industry Standards/Certification	MS51830
Alternate Item Number	NAS1394
Weight	.005 lb
Internal Thread Size	0.138-32
External Thread Size	0.2160-28
Locking Tabs	2
Alternate Part Number	NAS1394 KNC0632J
NSN	5325-00-177-3963
NIIN	00-177-3963
Part # Unpunctuated	MS51830103
Minimum Order Note	Minimum order is 5. Must order in increments of 1.

Note

Note

Our inventory is extensive. The majority of the items listed in our catalog are stocked and available for immediate shipment.

California Residents

Prop 65 Warning: This product may contain chemicals known to the State of California to cause cancer, and birth defects or other reproductive harm.

